



P2500 SERVICE TRUCK FUEL & LUBRICATION

PRODUCT SUMMARY

Plantman Equipment P2500 Service / Lube Truck

VOLUME (L):	5,000
G.V.M (KG)*:	10,400
AXLES:	4x2

*GVM: Gross Vehicle Mass

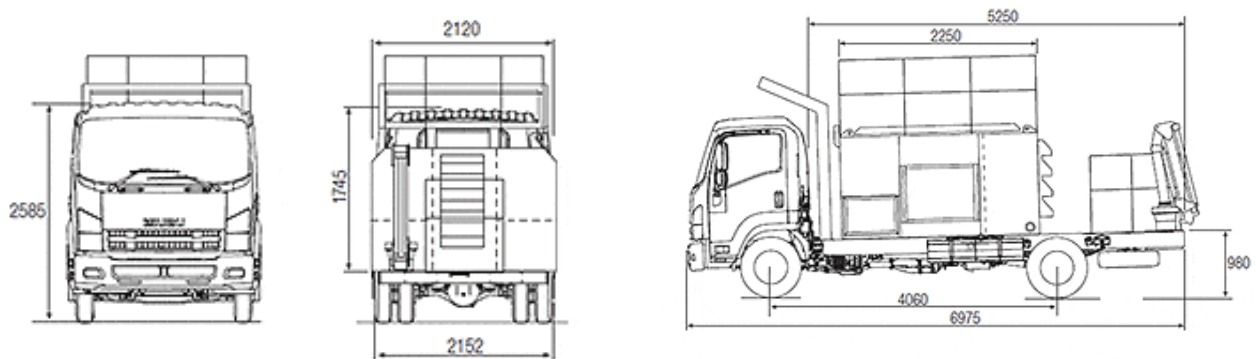
STANDARD P2500 TANK CONFIGURATION

The P2500 tank configuration can be highly customised. Talk to Plantman about your specific requirements.

TANK #	TANK TYPE	TANK CAPACITY
No 1	Diesel	2,500 Litres
No 2	Oil	500 Litres
No 3	Oil	500 Litres
No 4	Water/Coolant	500 Litres
No 5	Waste	500 Litres

Note – Tanks 4 and 5 are polymer lined

P2500 SERVICE TRUCK TECHNICAL DIAGRAM



CHASSIS TYPES FOR THE PLANTMAN P2500

